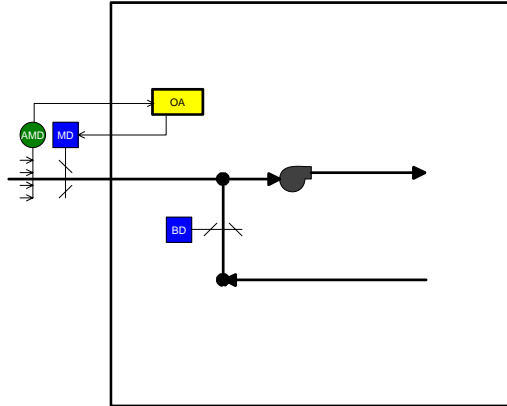


Constant Volume

Supply Fan no Relief at AHU



Sequence: CV_SF_noRelief

Minimum Outside Air Mode

OUTSIDE AIR AND BUILDING PRESSURE CONTROL – MIN OA

A return damper (manual or modulating) may be required to assure a mixed air plenum pressure negative enough to overcome the worst-case wind or stack pressure effect on the intake.

Modulate the outside air damper and return air damper (if required), in sequence, to maintain the minimum outside airflow rate required to meet requirements for a.) dilution ventilation or b.) building pressure, whichever is greater.

Startup the system with the outside air damper closed and the return air damper opened.

Dampers shall be sequenced by first modulating the outside air damper. If the outside air damper reaches its fully opened position, begin to modulate the return air damper closed until the setpoint is maintained.